

# Temperature, Humidity Testers & Thermometers

## Infrared Thermometers



### PIT1

- 1:1 Optical Ratio
- Pocket Size
- Min/Max Measurements



### LIT6

- 6:1 Optical Ratio
- Laser Pointer
- Backlight



### LIT8B

- 8:1 Optical Ratio
- Laser Pointer
- Trigger Style
- Backlight
- Minimum/Maximum Measurements



### LIT11TC

- 11:1 Optical Ratio
- Laser Pointer
- High & Low Temperature Range
- Backlight
- Carrying Case Included
- K-Type Thermocouple (probe included)
  - Temperature Range 58°F to 482°F (14°C to 250°C)
  - Full range: -83.2°F to 1999°F (-64°C to 1400°C)
  - Temperature Accuracy  $\pm 1\%$  of reading or 2°F

Laser Infrared Thermometers offer precise, non-contact measurement in a lightweight, hand held instrument. With one hand operation, they are ideal for a wide variety of applications.

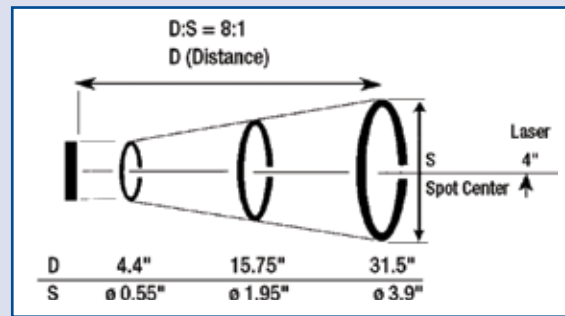
### Applications

- Refrigeration Systems
- Heating Systems
- Supply and Return Registers
- Circuit Breaker Panels
- Motors/Bearings
- Transformers
- Ducts
- And More

### Application Note:

#### What is Distance to Spot Ratio (D:S)?

This is the size of the measurement field that a non-contact infrared thermometer uses to provide a temperature reading. The infrared thermometer averages the temperature of that field to calculate the temperature reading. For example, a D:S ratio of 8:1 means that the measurement field measures approximately 1 foot in diameter when the target is approximately 8 feet away.



### Emissivity:

The ability of a surface to reflect the infrared radiation relative to an ideal surface. A flat black surface is as close to ideal as you can get. Most infrared thermometers have a fixed emissivity of .95. The more reflective the surface the lower the emissivity adjustment should be.

## Infrared Specifications

	PIT1	LIT6	LIT8B	LIT11TC
Optical Ratio	1:1	6:1	8:1	11:1
Temperature Range	-27°F to 428°F (-33°C to +220°C)	0°F to 500°F (-18°C to 260°C)	-4°F to 662°F (-20°C to 350°C)	-76°F to 932°F (-60°C to 500°C)
Best Resolution	.1°F (.1°C)	.1°F (.1°C)	1°F (1°C)	.1°F (.1°C)
Accuracy	$\pm 2\%$ of reading or +4°F (2°C)	$\pm 2\%$ of reading or +4°F (2°C)	$\pm 2\%$ of reading or $\pm 4\text{°F}$ (2°C)	$\pm 2\text{°F}$ ( $\pm 1\text{°C}$ )
Emissivity	0.95 adjustable	0.95 fixed	0.95 fixed	0.95 adjustable
Automatic shut off	Yes	Yes	Yes	Yes
Power Supply	CR2032 (Included)	9V Battery (Not Included)	9V Battery (Included)	2 AAA Batteries (Included)
Weight	1.3 oz. (32g)	5.3 oz. (150g)	5.8 oz. (180g)	6.3 oz. (179g)
Dimensions	.7" X 1.5" X 2.7" (18mm X 37mm X 68mm)	5.1" X 2" X 1.25" (18mm X 50mm X 42mm)	6.4" X 3.2" X 2.4" (159mm X 79mm X 57mm)	6.9" X 1.5" X 2.8" (175 X 39 X 71mm)